

# Questionnaire Product Request

Please mark the measurement unit.

\* Please fill the marked fields so we can provide you with the product that best suits your requirements.

\*\*Refers only for coated products.

Customer\*:

Contact person\*:

E-mail\*:

Phone\*:

Customer product name:

Date\*:

## I. Request description:

.....

.....

.....

Product usage / Application\*:

Target price\*:

Required sample size\*:

Potential quantity (annual)\*:

€/m<sup>2</sup> - kg - piece - lm

m<sup>2</sup> - kg

m<sup>2</sup> - kg - piece - lm

## II. General information:

Material shape\*:  Panel  Roll  Formed part (sketch, page 3)

1 - Inner Carton Tube (ø):.....mm

2 - Carton Tube Thickness:.....mm

Without Tube

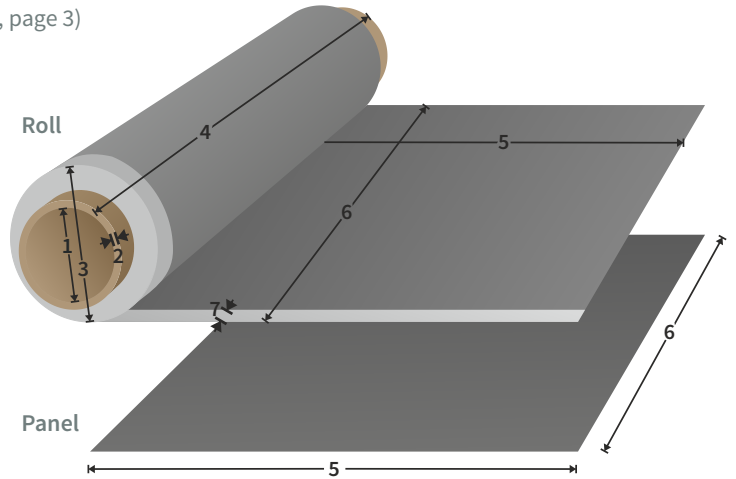
3 - Roll - max (ø outer):.....mm - cm

4 - Carton Tube Length:.....mm - cm

5 - Product Length\*:.....cm - m

6 - Product Width\*:.....cm - m

7 - Edge specification:.....



Zig Zag movement:  YES ..... tolerance  NO

Color\*\*\*:.....  RAL.....  CMYK.....

Raw material type\*:  AR Glass  Basalt  Carbon  E-Glass  ECR Glass  Aramid  Other.....

Sizing type\*:

Packaging:

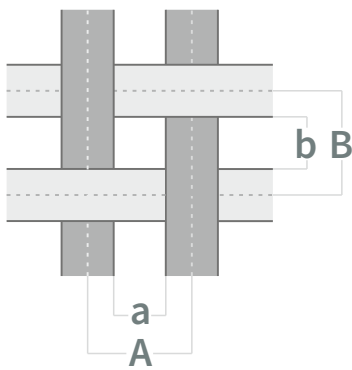
Fabric type\*:  Mesh  Fabric  Combimat  Needled  Sticked  Warp knitted  Other.....

Fabric weave:  Plain  Twill  Satin  Leno  Other.....

Sewing type: ..... Sewing length: ..... mm

Coating type\*: .....  None Additional fillers: .....

Mesh size\*:



	<input type="checkbox"/> Warp		<input type="checkbox"/> Weft
A	<input type="text"/>	mm ± <input type="text"/>	B <input type="text"/>
a	<input type="text"/>	mm ± <input type="text"/>	b <input type="text"/>
		Tolerance:	Tolerance:

Fabric density: ..... threads/10cm ..... threads/10cm ..... Tolerances: .....

Yarn fineness: ..... tex ..... tex

Product Weight\*: ..... g/m<sup>2</sup> ± ..... %  
Tolerance:

Tensile strength:

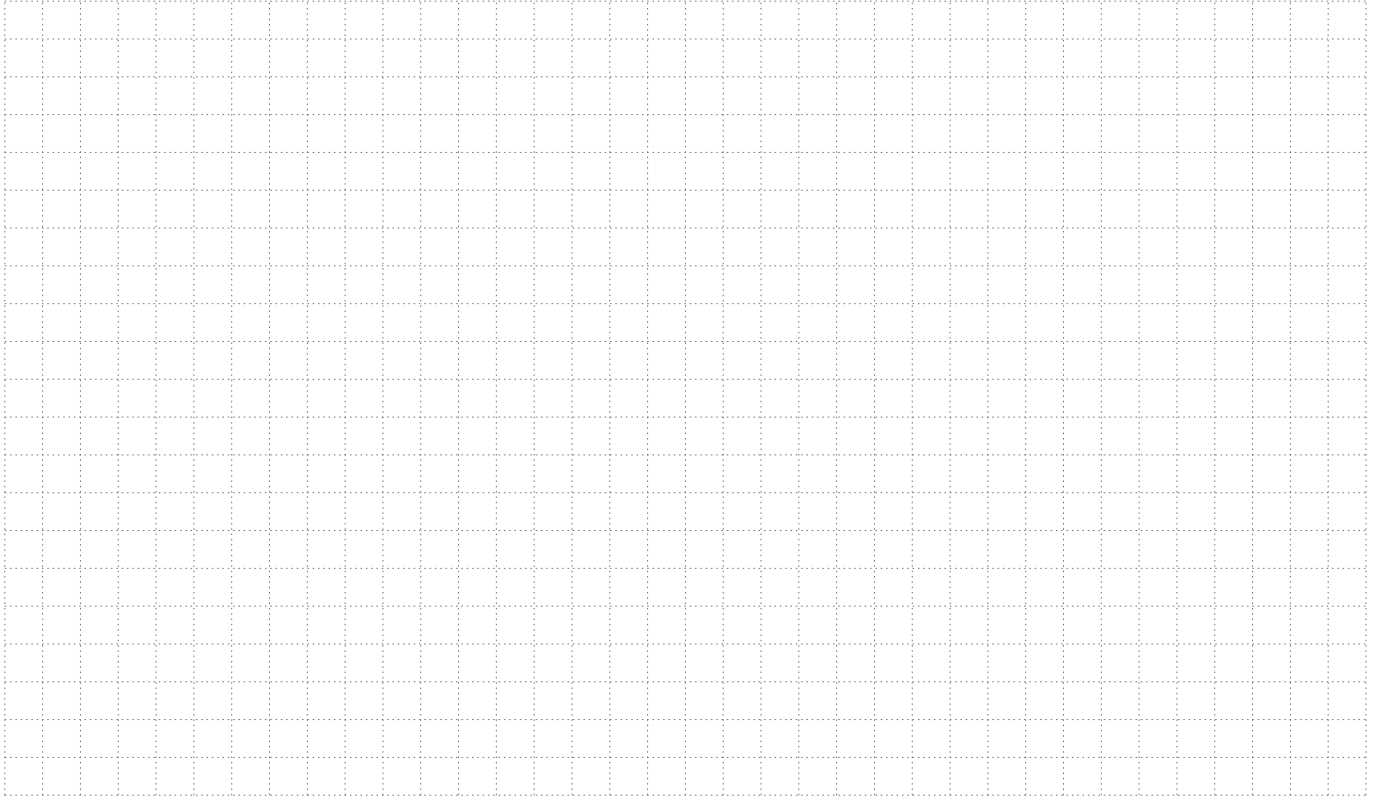
Min.	1 thread - N/5cm - kN/m	Norm
	warp / weft	
Avg.	1 thread - N/5cm - kN/m	Norm
	warp / weft	
Testing speed:	mm/min	

Thickness: ..... mm  
Tolerance: ± .....

Building Material Class: .....  DIN 4102-1  EN 13501-1  Other.....

Special requirements: .....

Sketch:



Sample     TDS     Photo     Report     Other.....

Notes:

